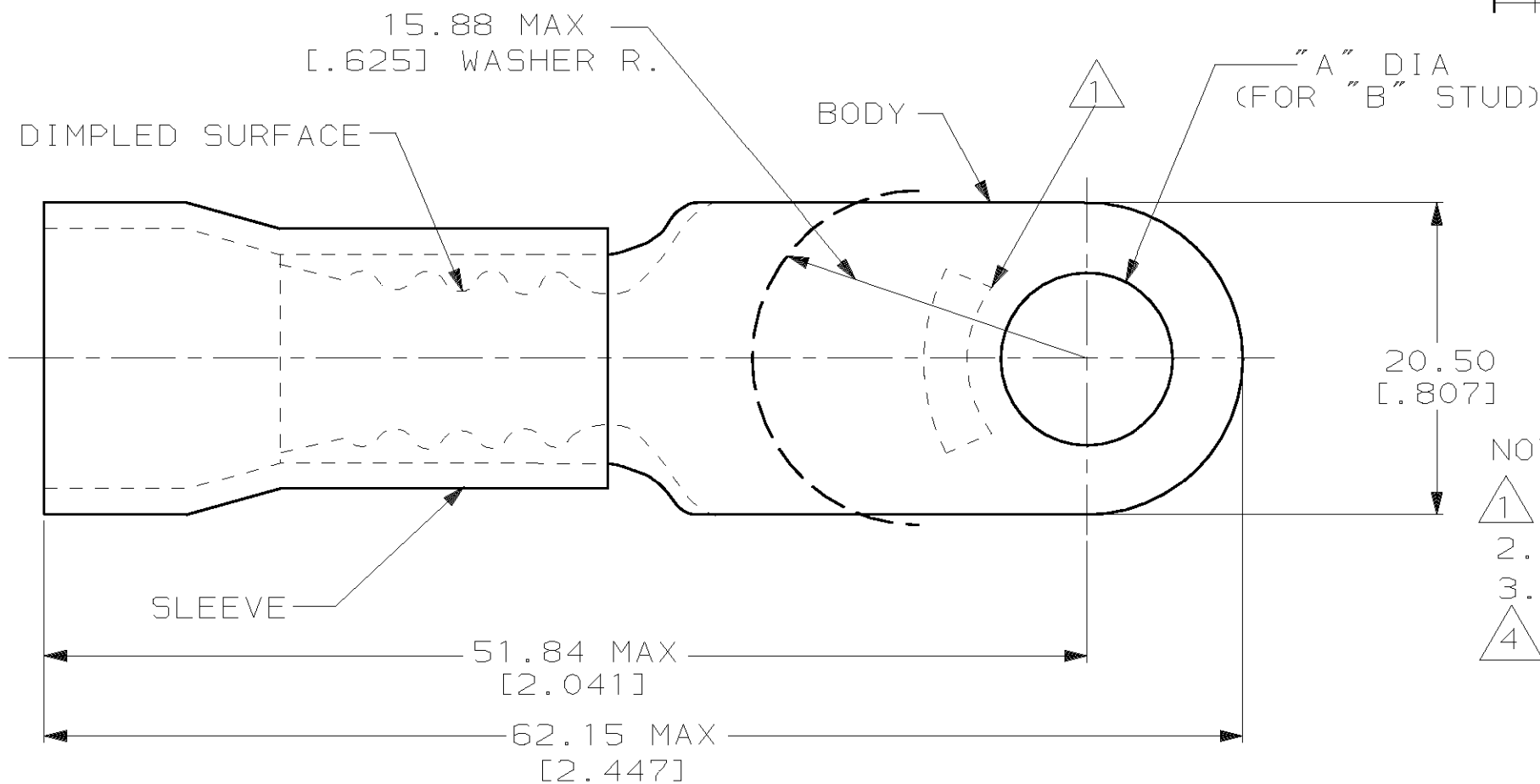


THIS DRAWING IS UNPUBLISHED. RELEASED FOR PUBLICATION, 19 .
 © COPYRIGHT 19 BY AMP INCORPORATED. ALL INTERNATIONAL RIGHTS RESERVED.

LOC G	DIST 14	P	F	REVISIONS			DATE	APPD
				ZONE	LTR	DESCRIPTION		
					H	ADDED -0 PER 0G3A-0004-01	03JAN01	JR/TM



AMP WIRE RANGE	RU FILE E13288	SR LR7189 Certified
1/0 AWG STRANDED	1/0 AWG STRANDED	1/0 AWG STRANDED

METRIC
 DIMENSIONS LISTED IN mm [INCHES]

- NOTE:
- ① STAMP AMP 1/0 W* LOCATE APPROX AS SHOWN
 - ② TONGUE MATERIAL THK 1.78±0.08 [.070±.003]
 - ③ SEE TABLE FOR WIRE INSULATION DIA MAX
 - ④ PRELIMINARY - NOT FOR PRODUCTION

16.89 [.665]	3/8	9.91±0.13 [.390±.005]	50	LOOSE PC	52045-5
17.37 [.684]	5/16	8.33±0.13 [.328±.005]			52045-2
	1/4	6.73±0.13 [.265±.005]			④ 52045
WIRE INSULATION DIA MAX	"B"	"A"	QTY	PACKAGE TYPE	PART NO

**AMP INCORPORATED
 CUSTOMER SERVICE SYSTEMS**

MAX RECOMMENDED OPERATING
 TEMPERATURE:

90°C

VOLTAGE RATING:
 600 V MAX

CIRCULAR MIL AREA:
 42.41-60.55mm² [83,700-119,500]
 STRANDED

THIS DRAWING IS A CONTROLLED DOCUMENT FOR
 AMP INCORPORATED. IT IS SUBJECT TO CHANGE
 AND THE CONTROLLING ENGINEERING ORGANIZATION
 SHOULD BE CONTACTED FOR THE LATEST REVISION.

DO NOT SCALE PRINT.
 UNLESS SPECIFIED
 DIMENSIONS IN mm [INCHES]
 TOLERANCES ON:
 2 PLC DEC ± 0.20[.008]
 3 PLC DEC ± -
 ANGLES ± -

MATERIAL
 COPPER PER ASTM B-152
 PVC, COLOR:BLUE

FINISH
 TIN PLATE
 PER ASTM B545

DR 9-28-93
 S.S. GOULDEN
 CHK 9-28-93
 R. HERSEY
 APPD 9-28-93
 B. BARE
 APPD 9-28-93
 M. ELLIS

PRODUCT SPEC
 NOT AVAILABLE

APPLICATION SPEC
 NOT AVAILABLE

WEIGHT -



AMP Incorporated
 Harrisburg, PA 17105-3608

NAME
 TERMINAL, RING TONGUE,
 PLASTI-GRIP, WIRE SIZE:1/0 AWG

SIZE B	CAGE CODE 00779	DRAWING NO C-52045
SCALE NTS	SHEET 1 OF 1	